

4-channel analogue input

μCAN.4.ai-F1

4-channel analogue acquisition for current or voltage with CAN interface

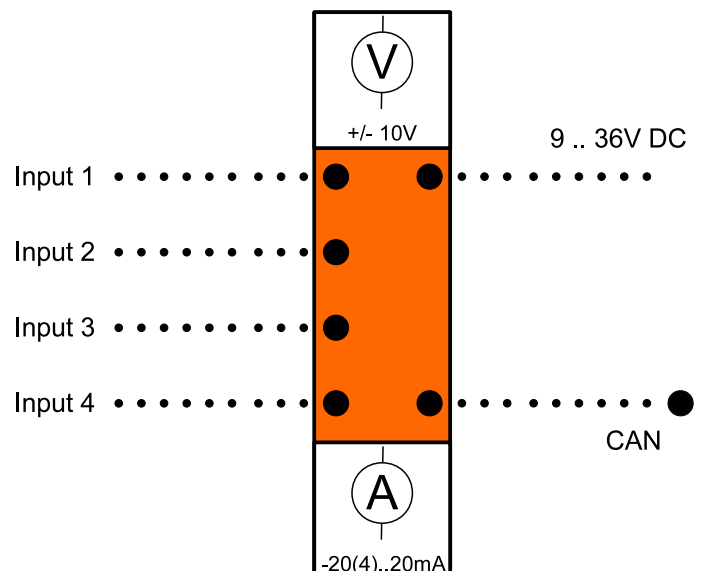
The **μCAN.4.ai-F1** is the versatile universal measuring module for analogue standard signals. The module is equipped to measure voltage signals within a range +/-40V or current signals of -20..20mA at an **overall sample rate of 4 kHz**.

Signals are linearized and evaluated within the robust aluminium die-cast casing. Process data is sent to a central processing unit or PC via CAN bus interface.



Features

- Analogue inputs +/-40V
- Analogue inputs -20..20mA
- Sample rate max. 1 kHz per input
- Operating temperature -40°C...+85°C
- CAN 2.0A and CAN 2.0B / RawCAN
- Free software configuration tool
- Aluminium casing in IP65
- Indication of device status via 1 bi-color LED



Technical Data	Analogue acquisition μ CAN.4.ai-F1
Channels	4
Power Supply	9...36 V DC, reverse polarity protected
Power Consumption	2W (84mA @ 24V DC)
Isolation	Channels/Supply: 500Veff, Fieldbus/Supply: 500Veff
Operating Temperature	-40°C...+85°C
Bitrate	20kBit/sec ... 1MBit/sec
Protocol	RawCAN / CAN 2.0A and 2.0B
Configuration	free software configuration tool
Status Indication	1 bi-colour LED
Protection Class	IP65
Casing	Aluminium, powder-coated 120x110x48mm (LxWxD)
EMC	according to EN 50082
Signal type / Accuracy @ 23°C ambient temperature	+/-40V DC accuracy 0.01% fsd., input impedance 220 kOhm -20..20mA accuracy 0.01% fsd., input impedance 50 kOhm
Sample Rates [Hz]	2 ... 3750
Resolution	2Hz / 24-Bit (output value $\Delta U = 0.00001 \text{ V} = 10 \mu\text{V}$) 3kHz / 18-Bit (output value $\Delta U = 0.001 \text{ V} = 1 \text{ mV}$)
Filter	Software filter / moving average determination, adjustable
Configuration Analogue inputs	SYNC driven sending ADC-Interrupt driven sending Timer driven sending

Order Number	Description
17.10.005	μ CAN.4.ai-F1 / voltage 4-channel analogue acquisition module, signal type voltage +/-40V DC, sensor connector Lemo plug K series, internal sensor supply Lemo plug-in connector, Power / CAN connection via Lemo plug B-series, 2 connecting elements included
17.20.005	μ CAN.4.ai-F1 / current 4-channel analogue acquisition module, signal type current -20..20mA, sensor connector Lemo plug K series, internal sensor supply Lemo plug-in connector, Power / CAN connection via Lemo plug B-series, 2 connecting elements included
90.15.000	Foot / connecting element for F1 modules
90.15.001	F1/F1 connector (CAN + Power) length 140mm, with Lemo connector at both ends
90.15.200	F1 terminal resistor for CANbus with Lemo connector
90.15.150	F1 connection cable (CAN + Power) length 2m, with Lemo / SUB-D connector 9-pin, open end for Power
90.15.100	F1 connection cable (CAN + Power) length 2m, Lemo connector / open end
90.15.300	Sensor connector, Lemo K series FGG.0K.306.CLAC50, 6-pin, solder contacts, water-tight
90.15.350	Power+CAN connector, Lemo F series FGN.0F.305.XLC, 5-pin, solder contacts, water-tight